

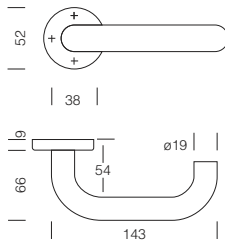


Paris Series



Paris Series

HOPPE Paris Series – 138S/42K (Grade 3 BS EN1906: 2002)



Lever on Round Rose Ø 19mm

features

- Supplied with both bolt through and wood screw fixings – AR200FP (701742)
- Nylon understructure – 4 point fixing
- Supplied with HOPPE 105mm full profile spindle (630905)
- Half sets supplied with 8mm x 60mm half spindle – AR229 (630899)
- Sprung Lever suitable for 40mm to 47mm door thickness as standard
- Unsprung Lever suitable for 30mm to 49mm door thickness as standard
- Longer spindles available for thicker doors: See end of this section
- Suitable for 30min and 1 hour fire doors
- Suitable for use with ARNONE Plus escape locks
- LRV Rating: HOPPE F1 Finish LRV of 60, HOPPE F3 Finish LRV of 43.55

standards and certification



Quality & Performance: Successfully type tested to all the requirements of BS EN1906: 2002 Grade 3 (Test reports/certificates are available on request)
*Note: this classification only applies to the product marked with an asterisk

3	7	-	1*	1	4	0	A
---	---	---	----	---	---	---	---



Fire Safety: Included on a successful fire test to BS EN1634 Part1: 2002. Assessed for use on 30 min, & 1 hour fire doors.



Manufactured by an ISO 9000 Registered Company



Conformity Statement: Meets the dimensional recommendations of BS8300 and Approved Document "M"

ID NO	PRODUCT REF	DESCRIPTION	FINISH
2654497	AR200S/10-SP-SAA*	Sprung lever on round rose	SAA (F1)
2656345	AR200S/10-UN-SAA	Unsprung lever on round rose	SAA (F1)
2654500	AR200S/10-SP-GAA*	Sprung lever on round rose	GAA (F3)
87108206	AR200S/10-UN-ASSA-SAA	Unsprung lever on round rose to suit ASSA lock cases	SAA (F1)
2698650	AR200S/10-SP-HALF-LH-SAA	½ Set sprung lever on round rose – Left hand	SAA (F1)
87108212	AR200S/10-SP-HALF-RH-SAA	½ Set sprung lever on round rose – Right hand	SAA (F1)

HOPPE Paris Series – 138S/267U

Lever on Concealed Fix Rectangular Plate (sprung) Ø 19mm

features

- Supplied with 8mm x 105mm full profile spindle (630905)
- Supplied complete with bolt through fixings (701742)
- Suitable for 41mm to 50mm door thickness
- Longer spindles available for thicker doors: See end of this section
- LRV Rating: HOPPE F1 Finish LRV of 60, HOPPE F3 Finish LRV of 43.55

standards and certification



Quality & Performance: Successfully type tested to all the requirements of BS EN1906: 2002 Grade 3 (Test reports/certificates are available on request)

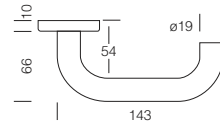
3	7	-	0	1	4	0	A
---	---	---	---	---	---	---	---



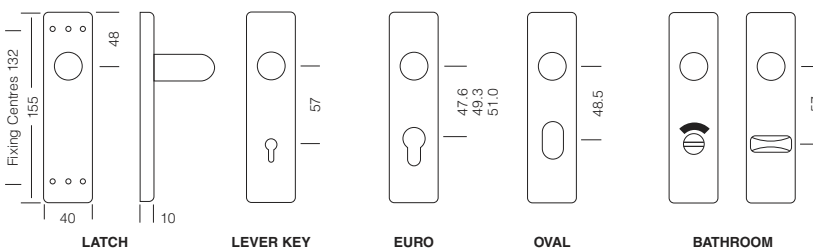
Manufactured by an ISO 9000 Registered Company



Conformity Statement: Meets the dimensional recommendations of BS8300 and Approved Document "M"



ID NO	PRODUCT REF	DESCRIPTION	FINISH
2655959	AR200S/11-SP-SAA	Sprung long plate latch furniture	SAA (F1)
2698511	AR200S/11-SP-GAA	Sprung long plate latch furniture	GAA (F3)
2655908	AR200S/12-SP-SAA	Sprung lock furniture 57mm centres	SAA (F1)
2698588	AR200S/12-SP-GAA	Sprung lock furniture 57mm centres	GAA (F3)
2655916	AR200S/13-SP-SAA	Sprung euro profile lock furniture 47.6mm centres	SAA (F1)
2698625	AR200S/13-SP-GAA	Sprung euro profile lock furniture 47.6mm centres	GAA (F3)
2655932	AR200S/13-SP-GU-SAA	Sprung euro profile lock furniture for Guardian 51mm centres	SAA (F1)
2655924	AR200S/13-SP-ASSA-SAA	Sprung euro profile lock furniture for ASSA 49.3mm centres	SAA (F1)
87108207	AR200S/13-SP-ESC-SAA	Sprung euro profile lock furniture for split follower lock (spindle 8504683) 47.6mm centres	SAA (F1)
2655941	AR200S/14-SP-SAA	Sprung oval profile lock furniture 48.5mm centres	SAA (F1)
2698684	AR200S/14-SP-GAA	Sprung oval profile lock furniture 48.5mm centres	GAA (F3)
2655975	AR200S/15-SP-SAA	Sprung bathroom furniture 57mm centres	SAA (F1)
2698553	AR200S/15-SP-GAA	Sprung bathroom furniture 57mm centres	GAA (F3)



HOPPE Paris Series – 138S/304L

Lever on 160mm x 160mm Face Fix Plate (sprung & unsprung) Ø 19mm

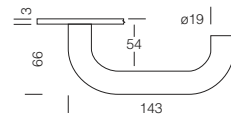
features

- Supplied with 8mm x 105mm full profile spindle (630905)
- Suitable for 40mm to 60mm door thickness
- Longer spindles available for thicker doors: See end of this section
- Supplied with wood screws
- LRV Rating: HOPPE F1 Finish LRV of 60

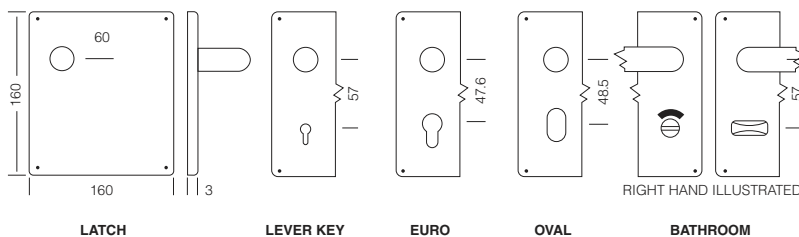


standards and certification

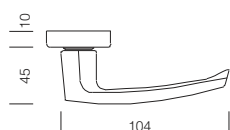
 Manufactured by an ISO 9000 Registered Company



ID NO	PRODUCT REF	DESCRIPTION	FINISH
2656302	AR200S/16-SP-SAA	Sprung latch furniture	SAA (F1)
87108229	AR200S/16-UN-SAA	Unsprung latch furniture	SAA (F1)
2656142	AR200S/17-SP-SAA	Sprung lock furniture 57mm centres	SAA (F1)
87108230	AR200S/17-UN-SAA	UnSprung lock furniture 57mm centres	SAA (F1)
2656281	AR200S/18-SP-SAA	Sprung euro profile lock furniture 47.6mm centres	SAA (F1)
87108231	AR200S/18-UN-SAA	Unsprung euro profile lock furniture 47.6mm centres	SAA (F1)
87108205	AR200S/18-SP-GU-SAA	Sprung euro profile lock furniture for Guardian 51mm centres	SAA (F1)
87108210	AR200S/18-SP-ESC-SAA	Sprung euro profile lock furniture for split follower lock (spindle 8504683) 47.6mm centres	SAA (F1)
2656290	AR200S/19-SP-SAA	Sprung oval profile lock furniture 48.5mm centres	SAA (F1)
87108232	AR200S/19-UN-SAA	Unsprung oval profile lock furniture 48.5mm centres	SAA (F1)
2698781	AR200S/20-SP-LH-SAA	Sprung bathroom furniture – Left hand 57mm centres	SAA (F1)
2694675	AR200S/20-SP-RH-SAA	Sprung bathroom furniture – Right hand 57mm centres	SAA (F1)
87108233	AR200S/20-UN-LH-SAA	Unsprung bathroom furniture – Left hand 57mm centres	SAA (F1)
87108234	AR200S/20-UN-RH-SAA	Unsprung bathroom furniture – Right hand 57mm centres	SAA (F1)



HOPPE Dubayy Series - 107L/266V & 107L/267



Lever on Face Fix Rectangular Plate (Sprung)

features

- Supplied with wood screw fixings
- Supplied with 8mm x 100mm solid spindle (519156)
- Suitable for 20mm to 40mm door thickness
- LRV Rating: HOPPE F1 Finish LRV of 60, HOPPE F3 Finish LRV of 43.55

standards and certification



Quality & Performance: Successfully type tested to all the requirements of BS EN1906: 2002 Grade 2 (Test reports/certificates are available on request)

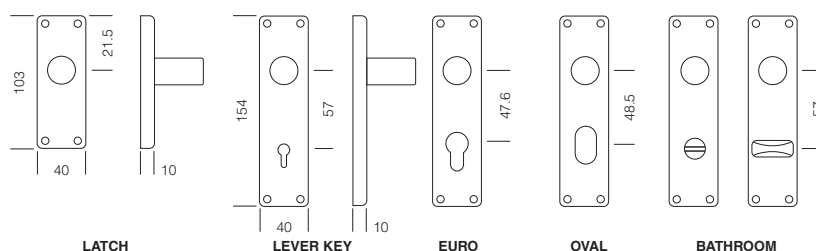
*Note: this classification only applies to the product marked with an asterisk

2	6	-	0	1	3	0	A
---	---	---	---	---	---	---	---



Manufactured by an ISO 9000 Registered Company

ID NO	PRODUCT REF	DESCRIPTION	FINISH
1735092	AR103-SAA*	Sprung short plate latch furniture	SAA (F1)
1735201	AR104-SAA*	Sprung lock furniture 57mm centres	SAA (F1)
1735236	AR104-GAA*	Sprung lock furniture 57mm centres	GAA (F3)
1735295	AR104-P-SAA	Sprung euro profile lock furniture 47.6mm centres	SAA (F1)
1735279	AR104-U-SAA	Sprung oval profile lock furniture 48.5mm centres	SAA (F1)
1737750	AR105-SAA	Sprung bathroom furniture 57mm centres (no indicator)	SAA (F1)
1737776	AR105-GAA	Sprung bathroom furniture 57mm centres (no indicator)	GAA (F3)

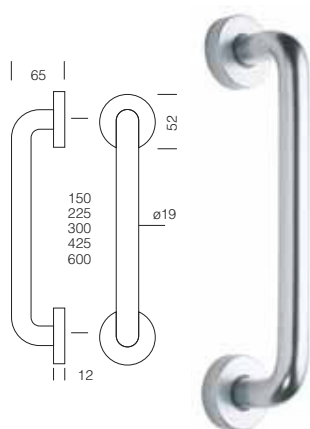




ARRONE[®] Pull Handles

ARRONE® Pull Handles

ARRONE® Pull Handles



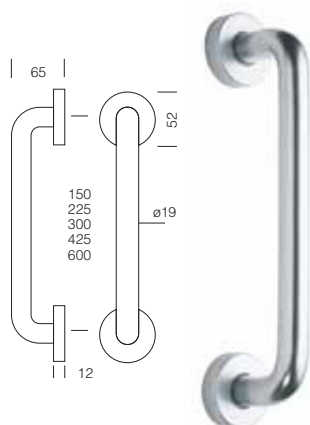
Straight Pull Handles ('D' Handles) Concealed Screw Fixing: Ø 19mm

standards and certification



Conformity Statement: Pull Handles with a length of 400mm and above meet the dimensional recommendations of BS8300 and Approved Document "M"

ID NO	PRODUCT REF	DESCRIPTION	FINISH
8504193	AR202/150CF-SAA	19mm x 150mm concealed screw fixing pull handle	SAA
8504200	AR202/225CF-SAA	19mm x 225mm concealed screw fixing pull handle	SAA
8504207	AR202/300CF-SAA	19mm x 300mm concealed screw fixing pull handle	SAA
8504214	AR202/425CF-SAA	19mm x 425mm concealed screw fixing pull handle	SAA
87107110	AR202/600CF-SAA	19mm x 600mm concealed screw fixing pull handle	SAA



Straight Pull Handles ('D' Handles) Dual Function Concealed/ Bolt Fix: Ø 19mm

features

- Supplied complete with concealed screw fixings & roses and bolt fixings.

standards and certification




Conformity Statement: Pull Handles with a length of 400mm and above meet the dimensional recommendations of BS8300 and Approved Document "M"

ID NO	PRODUCT REF	DESCRIPTION	FINISH
87105920	AR2023/150CF/BF-SAA	19mm x 150mm concealed screw / bolt fixed pull handle	SAA
87105921	AR2023/225CF/BF-SAA	19mm x 225mm concealed screw / bolt fixed pull handle	SAA
87105922	AR2023/300CF/BF-SAA	19mm x 300mm concealed screw / bolt fixed pull handle	SAA
87105923	AR2023/425CF/BF-SAA	19mm x 425mm concealed screw / bolt fixed pull handle	SAA
87107111	AR2023/600CF/BF-SAA	19mm x 600mm concealed screw / bolt fixed pull handle	SAA

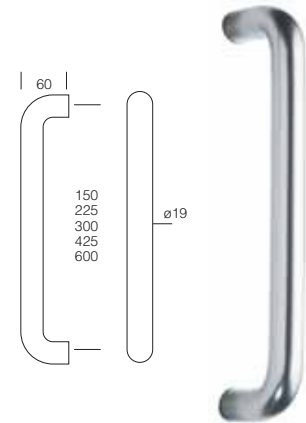
ARRONE[®] Pull Handles

Straight Pull Handles ('D' Handles) Bolt Through Fixing: Ø 19mm

standards and certification

 **Conformity Statement:** Pull Handles with a length of 400mm and above meet the dimensional recommendations of BS8300 and Approved Document "M"

ID NO	PRODUCT REF	DESCRIPTION	FINISH
8504221	AR203/150BF-SAA	19mm x 150mm bolt through fixing pull handle	SAA
8504228	AR203/225BF-SAA	19mm x 225mm bolt through fixing pull handle	SAA
8504242	AR203/300BF-SAA	19mm x 300mm bolt through fixing pull handle	SAA
8504249	AR203/425BF-SAA	19mm x 425mm bolt through fixing pull handle	SAA
87107112	AR203/600BF-SAA	19mm x 600mm bolt through fixing pull handle	SAA




Straight Pull Handles ('D' Handles) Back-to-Back Fixing: Ø 19mm

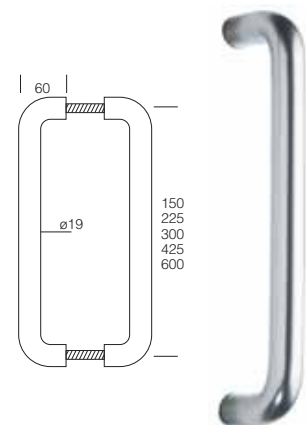
features

- These pull handles are supplied with sleeve and washers for glass doors, which must be removed when used on timber doors

standards and certification

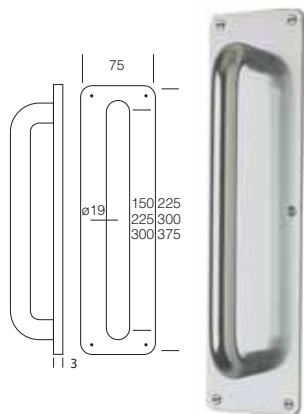
 **Conformity Statement:** Pull Handles with a length of 400mm and above meet the dimensional recommendations of BS8300 and Approved Document "M"

ID NO	PRODUCT REF	DESCRIPTION	FINISH
8504256	AR204/150BB-SAA	19mm x 150mm back-to-back fixing pull handle	SAA
8504263	AR204/225BB-SAA	19mm x 225mm back-to-back fixing pull handle	SAA
8504270	AR204/300BB-SAA	19mm x 300mm back-to-back fixing pull handle	SAA
87107113	AR204/425BB-SAA	19mm x 425mm back-to-back fixing pull handle	SAA
87107114	AR204/600BB-SAA	19mm x 600mm back-to-back fixing pull handle	SAA



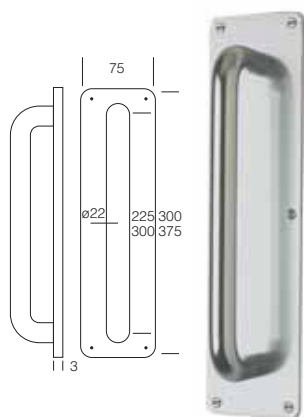
ARRONE® Pull Handles

ARRONE® Pull Handles



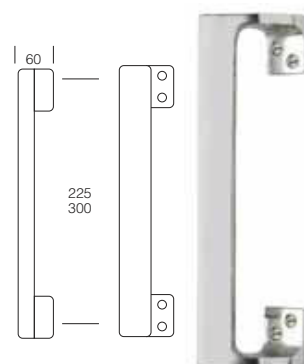
Straight Pull Handles ('D' Handles) Screw Fix on Plate Ø 19mm

ID NO	PRODUCT REF	DESCRIPTION	FINISH
8504277	AR205/150FF-P-SAA	19mm x 150mm screw fix pull handle on plate	SAA
8504284	AR205/225FF-P-SAA	19mm x 225mm screw fix pull handle on plate	SAA
8504291	AR205/300FF-P-SAA	19mm x 300mm screw fix pull handle on plate	SAA



Straight Pull Handles ('D' Handles) Screw Fix on Plate Ø 22mm

ID NO	PRODUCT REF	DESCRIPTION	FINISH
8504641	AR225/225FF-P-SAA	22mm x 225mm screw fix pull handle on plate	SAA
8504648	AR225/300FF-P-SAA	22mm x 300mm screw fix pull handle on plate	SAA



Cranked Pull Handles

ID NO	PRODUCT REF	DESCRIPTION	FINISH
8500315	AR106A-SAA	225mm cranked pull handle	SAA
8500322	AR106B-SAA	300mm cranked pull handle	SAA



Architectural Accessories

Architectural Accessories

ARRONE® Architectural Accessories



ID NO	PRODUCT REF	DESCRIPTION	FINISH
8504340	AR207M-SAA	155mm square male sign	SAA
8504333	AR207F-SAA	155mm square female sign	SAA
8504347	AR207U-SAA	155mm square unisex sign	SAA
8504326	AR207D-SAA	155mm square disabled sign	SAA



ID NO	PRODUCT REF	DESCRIPTION	FINISH
8511557	AR908M-SAA	100mm x 150mm rectangular male sign	SAA
8511529	AR908F-SAA	100mm x 150mm rectangular female sign	SAA
8511501	AR908D-SAA	100mm x 150mm rectangular disabled sign	SAA



ID NO	PRODUCT REF	DESCRIPTION	FINISH
8511361	AR903M-SAA	Ø 76mm circular male sign	SAA
8511333	AR903F-SAA	Ø 76mm circular female sign	SAA
87100544	AR903U-SAA	Ø 76mm circular unisex sign	SAA
8511305	AR903D-SAA	Ø 76mm circular disabled sign	SAA



ID NO	PRODUCT REF	DESCRIPTION	FINISH
8511214	AR900-SAA	Ø 76mm "Keep locked shut" sign	SAA
8511242	AR901-SAA	Ø 76mm "Fire door keep locked" sign	SAA
8511277	AR902-SAA	Ø 76mm "Fire door keep shut" sign	SAA



ID NO	PRODUCT REF	DESCRIPTION	FINISH
8511389	AR904-SAA	80mm square "Keep locked shut" sign	SAA
8511417	AR905-SAA	80mm square "Fire door keep shut" sign	SAA
8511445	AR906-SAA	80mm square "Fire door keep locked" sign	SAA
8511473	AR907-SAA	80mm square "Fire door keep locked shut" sign	SAA



ID NO	PRODUCT REF	DESCRIPTION	FINISH
8504298	AR206P-SAA	Cylinder Pull – plain (no hole)	SAA
8504305	AR206S-SAA	Cylinder Pull for standard rim cylinder	SAA
8504319	AR206YP-SAA	Cylinder Pull for euro profile cylinder	SAA
8504312	AR206U-SAA	Cylinder Pull for oval profile cylinder	SAA



ID NO	PRODUCT REF	DESCRIPTION	FINISH
8504389	AR210A-SAA	150mm surface door bolt	SAA
8504396	AR210B-SAA	200mm surface door bolt	SAA

ARRONE[®] Architectural Accessories

ID NO	PRODUCT REF	DESCRIPTION	FINISH
8504354	AR208A-SAA	305mm x 100mm (aperture 250mm x 50mm) sprung letter plate	SAA
8504361	AR208B-SAA	345mm x 128mm (aperture 297mm x 76mm) sprung letter plate	SAA
8504368	AR208C-SAA	405mm x 128mm (aperture 347mm x 76mm) sprung letter plate	SAA



ID NO	PRODUCT REF	DESCRIPTION	FINISH
8504410	AR213-SAA	70mm projection, wall or skirting door stop (secret fix)	SAA



ID NO	PRODUCT REF	DESCRIPTION	FINISH
8504424	AR214W-SAA	Wooden floor mounted door stop	SAA



ID NO	PRODUCT REF	DESCRIPTION	FINISH
8504452	AR217-SAA	Hat and coat hook	SAA



ID NO	PRODUCT REF	DESCRIPTION	FINISH
8504459	AR218-SAA	Buffered hat and coat hook	SAA



ID NO	PRODUCT REF	DESCRIPTION	FINISH
8504466	AR219-SAA	Wardrobe hook	SAA



ID NO	PRODUCT REF	DESCRIPTION	FINISH
8504620	AR224A-SAA	75mm x 305mm finger plate (rounded corners)	SAA
8504627	AR224B-SAA	75mm x 305mm finger plate (fully radiused ends)	SAA
8562741	AR224C-SAA	75mm x 350mm finger plate (square corners)	SAA
8562748	AR224D-SAA	75mm x 475mm finger plate (square corners)	SAA



ID NO	PRODUCT REF	DESCRIPTION	FINISH
	AR225	Kicking Plate (cut to order)	SAA & GAA



ID NO	PRODUCT REF	DESCRIPTION	FINISH
8504676	AR227-SAA	63mm projecting handrail bracket	SAA



Architectural Accessories

ARRONE® Contract Accessories



ID NO	PRODUCT REF	DESCRIPTION	FINISH
8500462	AR115-SAA	Contract Cylinder Pull for standard rim cylinder	SAA



ID NO	PRODUCT REF	DESCRIPTION	FINISH
8500448	AR114A-SAA	250mm letter tidy	SAA



ID NO	PRODUCT REF	DESCRIPTION	FINISH
8500609	AR132A-SAA	19mm x 150mm lever action flush bolt	SAA

8500616	AR132B-SAA	19mm x 200mm lever action flush bolt	SAA
---------	-------------------	--------------------------------------	------------



ID NO	PRODUCT REF	DESCRIPTION	FINISH
8500623	AR133A-SAA	50mm straight barrel bolt	SAA

8500630	AR133B-SAA	63mm straight barrel bolt	SAA
---------	-------------------	---------------------------	------------

8500637	AR133C-SAA	75mm straight barrel bolt	SAA
---------	-------------------	---------------------------	------------

8500644	AR133D-SAA	100mm straight barrel bolt	SAA
---------	-------------------	----------------------------	------------

8500651	AR133E-SAA	150mm straight barrel bolt	SAA
---------	-------------------	----------------------------	------------



ID NO	PRODUCT REF	DESCRIPTION	FINISH
8500658	AR134A-SAA	75mm necked barrel bolt	SAA

8500665	AR134B-SAA	100mm necked barrel bolt	SAA
---------	-------------------	--------------------------	------------

8500672	AR134C-SAA	150mm necked barrel bolt	SAA
---------	-------------------	--------------------------	------------



ID NO	PRODUCT REF	DESCRIPTION	FINISH
8500714	AR138-SAA	Indicator bolt	SAA



ID NO	PRODUCT REF	DESCRIPTION	FINISH
8500483	AR122-SAA	Oval shielded door stop	SAA



ID NO	PRODUCT REF	DESCRIPTION	FINISH
8500490	AR123A-SAA	ø25mm shielded door stop	SAA

8500497	AR123B-SAA	ø41mm shielded door stop	SAA
---------	-------------------	--------------------------	------------

ARRONE[®] Contract Accessories

ID NO	PRODUCT REF	DESCRIPTION	FINISH
8500574	AR130A-SAA	Round rose concealed fixing door stop (63mm projection)	SAA
8500581	AR130B-SAA	Round rose concealed fixing door stop (76mm projection)	SAA



ID NO	PRODUCT REF	DESCRIPTION	FINISH
8500588	AR130C-SAA	Round rose face fixing door stop (63mm projection)	SAA
8500595	AR130D-SAA	Round rose face fixing door stop (76mm projection)	SAA



ID NO	PRODUCT REF	DESCRIPTION	FINISH
8500840	AR162A	Ø 35mm black rubber door stop	SAA



ID NO	PRODUCT REF	DESCRIPTION	FINISH
8500679	AR135A-SAA	89mm strip pattern hat and coat hook	SAA
8500693	AR135B-SAA	125mm strip pattern hat and coat hook	SAA



ID NO	PRODUCT REF	DESCRIPTION	FINISH
8500700	AR136-SAA	89mm hat and coat hook	SAA



ID NO	PRODUCT REF	DESCRIPTION	FINISH
8500707	AR137-SAA	Wardrobe hook	SAA



ID NO	PRODUCT REF	DESCRIPTION	FINISH
8500791	AR146-SAA	75mm x 305mm finger plate (square corners)	SAA

ID NO	PRODUCT REF	DESCRIPTION	FINISH
8500798	AR146-PUSH-SAA	75mm x 305mm finger plate engraved "PUSH" (square corners)	SAA



ID NO	PRODUCT REF	DESCRIPTION	FINISH
8500553	AR129A-SAA	Ø25mm cupboard knob	SAA
8500560	AR129B-SAA	Ø32mm cupboard knob	SAA
8500567	AR129C-SAA	Ø38mm cupboard knob	SAA



Architectural Accessories

ARRONE® Contract Accessories



ID NO	PRODUCT REF	DESCRIPTION	FINISH
8500532	AR127A-SAA	10mm x 102mm cupboard "D" handle	SAA
8500539	AR127B-SAA	10mm x 150mm cupboard "D" handle	SAA
8500546	AR128-SAA	13mm x 150mm cupboard "D" handle	SAA



ID NO	PRODUCT REF	DESCRIPTION	FINISH
8500504	AR124A-SAA	204mm casement stay	SAA
8500511	AR124B-SAA	254mm casement stay	SAA
8500518	AR124C-SAA	305mm casement stay	SAA



ID NO	PRODUCT REF	DESCRIPTION	FINISH
8500525	AR126-SAA	Casement fastener	SAA



ID NO	PRODUCT REF	DESCRIPTION	FINISH
	AR140/X	50mm numeral 0 to 9 c/w drilled and countersunk holes	SAA



ID NO	PRODUCT REF	DESCRIPTION	FINISH
8500602	AR131-SAA	Toilet roll holder	SAA