



Door Closer

# DORMA TS 68

## The ideal low-cost solution for standard doors

With the TS 68, DORMA has developed a low-cost door closer which can be universally used on all common door types. It is particularly quick and easy to install - and does not require a mounting backplate.

The closer arm's power shoe and changes in templating allow easy selection of the closing force to suit various door sizes.



Quality assured manufacture to DIN ISO 9001, EN 29001, BS 5750. Certified and verified by BSI Quality Assurance Reg. No. Q 6423, FM 10756

### Plus points

#### For the trade

- The low cost solution for standard doors.
- Just one model for all mounting positions.

#### For the installer

- Non-handed unit.
- Quick and easy to install.
- Fixes perfectly to all door types without the need for a mounting backplate.

#### For the specifier/architect

- Compact design.
- Inexpensive, proven reliability.

#### For the user

- Closing cycle largely unaffected by temperature changes.
- Two valves for optimum closing speed and reliable latching action.

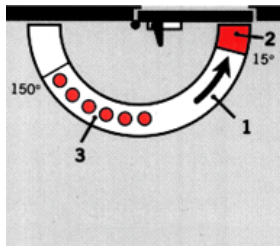
### Data and features

### TS 68

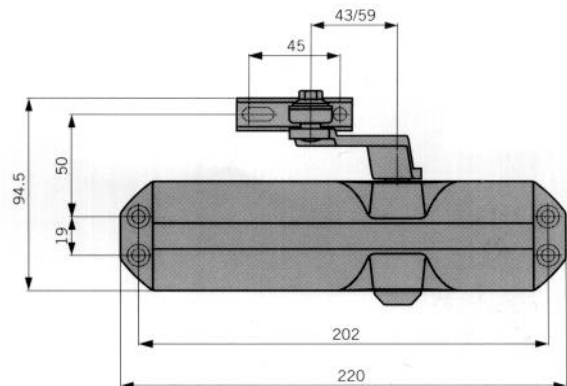
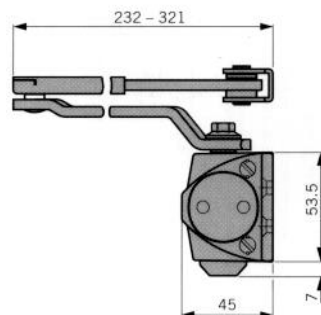
Selectable closing force (variable via arm power shoe and templating)	Size	EN 2/3/4
Door width	≤ 1100 mm	•
External doors, outward opening		-
Non-handed		•
Arm	Slimline	•
	Slide channel	-
Closing speed adjustable via 2 independent valves	180° - 15°	
	15° - 0°	•
Backcheck		-
Delayed action		-
Hold-open		○
Weight in kg		1.4
Dimensions in mm	Length	220
	Overall depth	45
	Height	53.5

• Yes - no ○ option

### Standard and optional functions

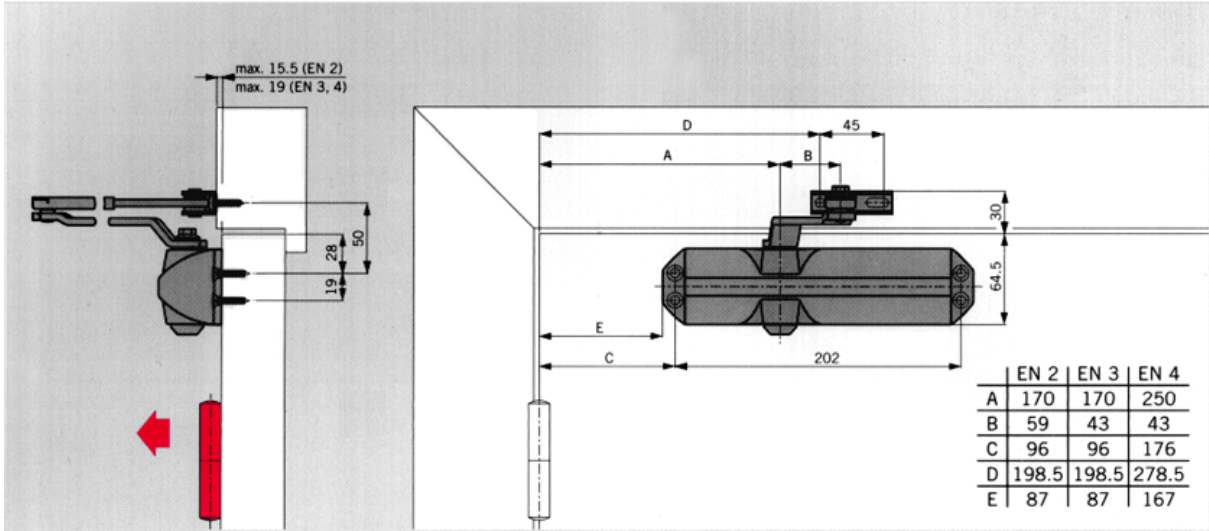


- 1 Adjustable closing speed in the range 180° - 15°.
- 2 Adjustable closing speed in the range 15° - 0°.
- 3 Hold-open range with hold-open arm model (optional extra).

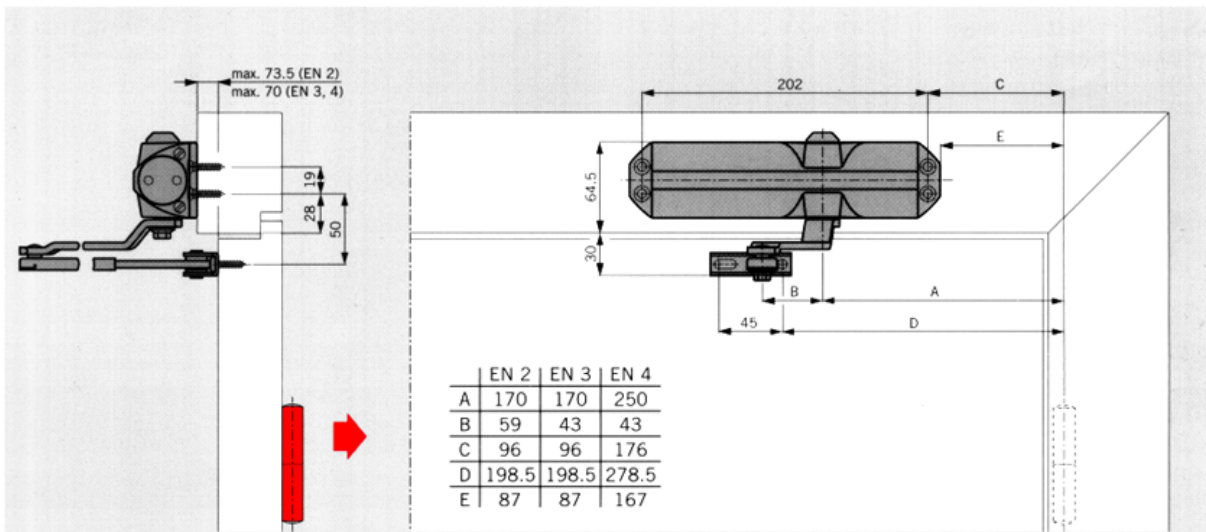




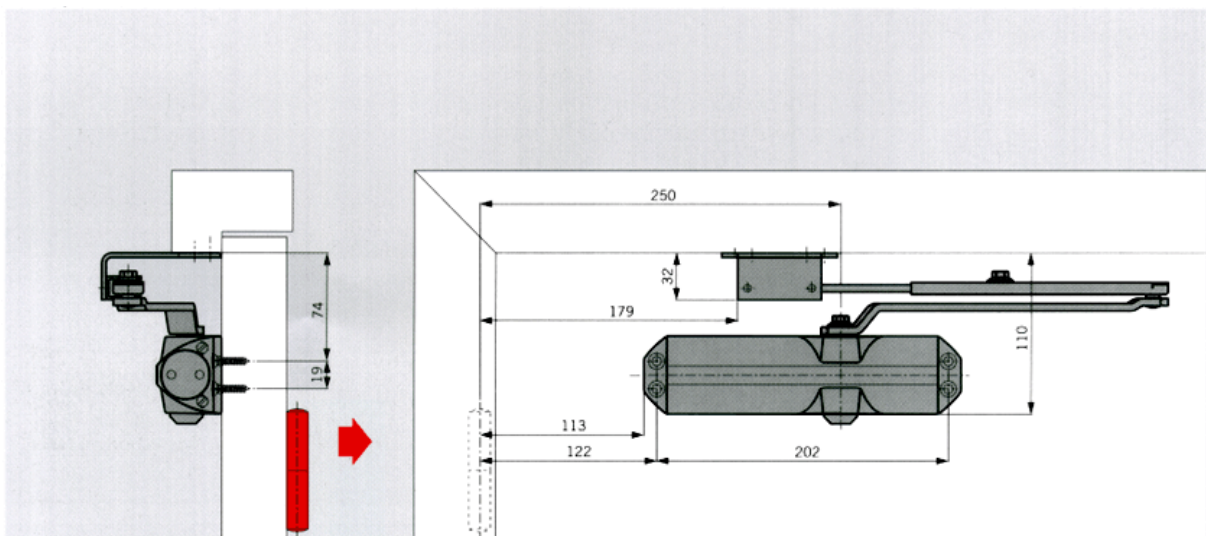
### Door-leaf fixing, pull side



### Frame fixing, push side



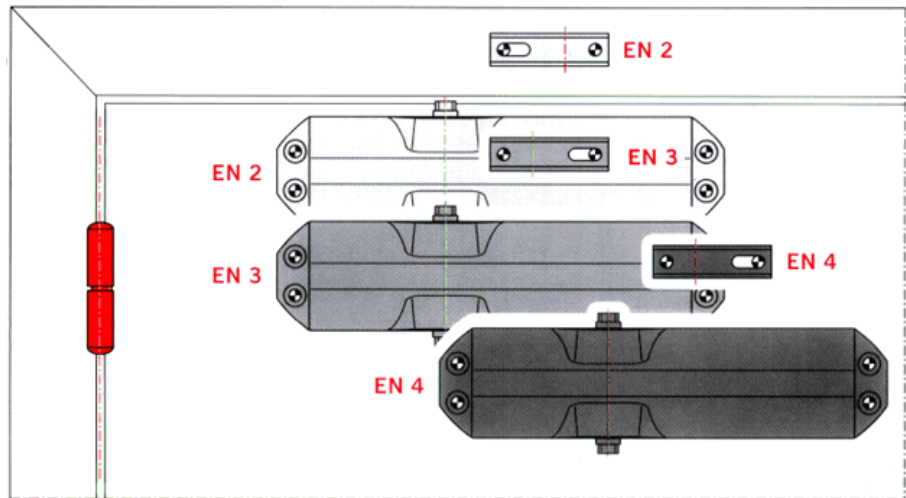
### Parallel arm fixing, push side



**Closing force settings**

Door width	Size setting
≤ 850	EN 2
≤ 950	EN 3
≤ 1100	EN 4

The TS 68's size setting is selected for the door width by moving the closer body and/or turning the arm power shoe.



**Standard equipment and accessories**

<b>Colour</b>	<b>xx</b>
silver	01
brass	02
dark brown	03
special colour	09

Door closer TS 68	Standard arm	Hold-open arm	Parallel arm bracket
Size EN 2/3/4	664001xx	664002xx	280066xx
			#

Order-Number: = Closer with arm, complete  
 = Accessory

**Specification text**

Rack-and-pinion door closer with selectable closing force, size EN 2, 3 and 4; adjustable closing speed in two independent ranges. Non-handed.

- Model**
- with standard arm
  - with hold-open

- Colour**
- silver
  - dark brown
  - brass
  - special colour \_\_ (similar to RAL\_\_)

**Make** DORMA TS 68

Subject to change without notice

**DORMA GmbH + Co. KG**  
 Postfach 40 09  
 D-58247 Ennepetal  
 Tel. 0 23 33/7 93-0  
 Fax 0 23 33/79 34 95  
 www.dorma.de



---

## CERTIFICATE OF APPROVAL No. CF 289

---

This is to certify that, in accordance with  
CERTIFIRE's Rules for Certification,  
the undermentioned products of

### **DORMA UK LIMITED**

**Wilbury Way, Hitchin, Hertfordshire, SG4 0AB**  
**Tel: 01462 477600 Fax: 01462 477601**

have been assessed against the requirements of the Technical Schedule(s)  
denoted below and are approved for use subject to the conditions  
appended hereto:

---

#### **CERTIFIED PRODUCT**

**DORMA TS68 overhead door  
closers**

#### **TECHNICAL SCHEDULE**

**TS34 - The Contribution of  
Controlled Door Closing  
Devices and Accessories to  
Fire Resisting Doorsets**

Signed and sealed for and on behalf of CERTIFIRE

A handwritten signature in black ink, appearing to read "KJ Knight", enclosed within a rounded rectangular box.

Kenneth J Knight  
Chairman - Management Council

Issued: 7<sup>th</sup> August 2002  
Revised: 27<sup>th</sup> June 2005  
Valid to: 26<sup>th</sup> June 2010





---

## CERTIFICATE No. CF 289 DORMA UK LIMITED

---

### DORMA TS68 OVERHEAD DOOR CLOSERS

1. **DORMA TS68** Overhead Door Closers are adjustable strength (by position) rack and pinion overhead door closers. This approval relates to their use with the following door assemblies:-  

**Latched and unlatched, intumescent sealed door assemblies consisting of timber faced and edged leaves with timber, cellulosic or mineral cores in timber frames having a fire resistance up to 120 minutes (Code ITT).**
2. This certification is designed to demonstrate compliance of the product or system specifically with Approved Document B (England and Wales), Section D of the Technical Standards (Scotland), Technical Booklet E (N. Ireland). If compliance is required to other regulatory or guidance documents there may be additional considerations or conflict to be taken into account.
3. The closers are approved on the basis of:
  - i) Initial type testing to EN 1154 and EN1634-1
  - ii) An appraisal against TS34
  - iii) Production surveillance under ISO 9001:2000
  - iv) Ongoing audit testing in accordance with EN 1154 requirements
4. This approval is applicable only to the specified closers used with door assemblies of proven fire resistance (as defined in EN 1634-1) and having power ratings appropriate to the leaf sizes subject to a minimum size 3 (as specified in BS EN 1154).
5. The approval relates to on going production. Product and/or its immediate packaging is identified with the manufacturers' name, the product name or number, the CERTIFIRE name or name and mark, together with the CERTIFIRE certificate number and application where appropriate.

Page 2 of 4 Signed

Issued: 7<sup>th</sup> August 2002  
Revised: 27<sup>th</sup> June 2005  
Valid to: 26<sup>th</sup> June 2010



**CERTIFICATE No. CF 289**  
**DORMA UK LIMITED**

**DORMA TS68 OVERHEAD DOOR CLOSERS**

5. The following tables show acceptable doorsets types and fire resistance periods for **DORMA TS68** closers:

**Table 1.** For doorsets to BS 476: Part 22: 1987

Fire resistance performance as required by Approved Document B	MM	IMM	TT	ITT	ITM	ITC
FD20	X	X	X	✓	X	X
FD30	X	X	X	✓	X	X
FD60	X	X	X	✓	X	X
FD90	X	X	X	✓	X	X
FD120	X	X	X	✓	X	X
FD240	X	X	X	X	X	X

**Table 2.** For doorsets to EN 1634-1

Classification to prEN13501-2	MM	IMM	TT	ITT	ITM	ITC
E 20	X	X	X	✓	X	X
EI 20	X	X	X	✓	X	X
E 30	X	X	X	✓	X	X
EI 30	X	X	X	✓	X	X
E 60	X	X	X	✓	X	X
EI 60	X	X	X	✓	X	X
E 90	X	X	X	✓	X	X
EI 90	X	X	X	✓	X	X
E 120	X	X	X	✓	X	X
EI 120	X	X	X	✓	X	X
E 240	X	X	X	X	X	X
EI 240	X	X	X	X	X	X

See CERTIFIRE Technical Schedules for designation of doorset types i.e. TT, ITT etc.

Page 3 of 4 Signed

Issued: 7<sup>th</sup> August 2002  
Revised: 27<sup>th</sup> June 2005  
Valid to: 26<sup>th</sup> June 2010



---

**CERTIFICATE No. CF 289**  
**DORMA UK LIMITED**

---

**DORMA TS68 OVERHEAD DOOR CLOSERS**

**Scope of Approval for TS68 closers:**

Doors may not include uninsulated glass above 20% of their total area

The closers may not be fitted to metallic doorsets

The closers may not be fitted to timber doorsets without intumescent protection

**Classification code for TS68 closers**

The above approval provides the following classification:

3	8	4 3	1	1	2
---	---	--------	---	---	---

**Further Information**

Further information regarding the details contained in this data sheet may be obtained from DORMA UK Limited (Tel: 01462 477600).

Further information regarding CERTIFIRE certification and other approved products can be obtained from CERTIFIRE (Tel: 01925 646777).

Page 4 of 4 Signed

Issued: 7<sup>th</sup> August 2002  
Revised: 27<sup>th</sup> June 2005  
Valid to: 26<sup>th</sup> June 2010