

TRADITIONAL DOOR LOCK

The **ERA Traditional Door Lock** has been designed to replace most existing front door locks, providing added security to new exterior and interior doors.

The lock is suitable for left or right handed operation, inward or outward opening doors*. A simple snib button deadlocks the latch from the inside.

The Traditional Door Lock is available in brass or green finish, and has a choice of brass or satin finish cylinders, supplied with three cut keys.

*For outward opening doors the staple must be purchased separately (only available in Green).



ORDERING DETAILS

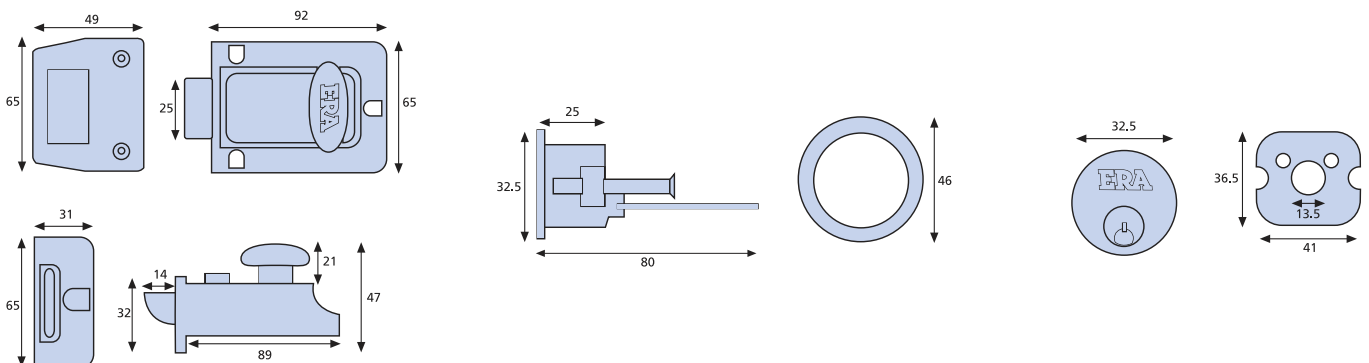
Traditional Door Locks

60mm Backset (Standard Style)

Green body, brass cylinder, box	133-81
Green body, brass cylinder, clam pack	133-82
Green body, satin cylinder, box	135-81
Green body, satin cylinder, clam pack	135-82
Brassed body, brass cylinder, box	133-31
Brassed body, brass cylinder, clam pack	133-32
Chrome body, chrome cylinder, box	136-61
Chrome body, chrome cylinder, clam pack	136-62



Traditional Door Lock



All dimensions in mm.

DOUBLE LOCKING NIGHTLATCH

The ERA Double Locking Nightlatch is available in both 40mm and 60mm backset, designed to replace most existing front door locks. The product is ideally suited for solid and glass panelled wooden doors, as it has been designed with an ergonomic internal locking handle offering added security against forced entry.

The main lock bolt is "automatically" deadlocked when the door is closed, preventing the main bolt being retracted by a credit card. The inside handle can be deadlocked by an anti-clockwise turn of the key from the inside so securing the lock against forced entry. The bolt can be held in the withdrawn position (only) with the use of the snib feature.

The nightlatch case is available in brass, grey and a range of chrome finishes, with matching brass and satin rim cylinders.

The bolt cannot be reversed.

ORDERING DETAILS

Double Locking Nightlatch 40mm Backset (Narrow Style)

Brass body, brass cylinder, boxed	183-31
Brass body, brass cylinder, clam	183-32
Grey body, brass cylinder, boxed	184-31
Grey body, brass cylinder, clam	184-32
Satin chrome body, satin cylinder, boxed	183-35-1
Satin chrome body, satin cylinder, clam	183-35-2
Polished chrome body, chrome cylinder, boxed	183-37-1
Polished chrome body, chrome cylinder, clam	183-37-2
Satin nickel chrome body, satin cylinder, boxed	183-40-1
Satin nickel chrome body, satin cylinder, clam	183-40-2

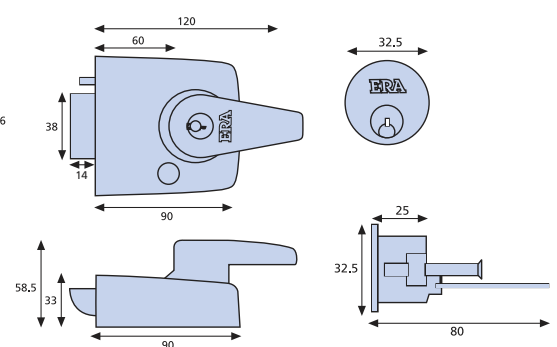
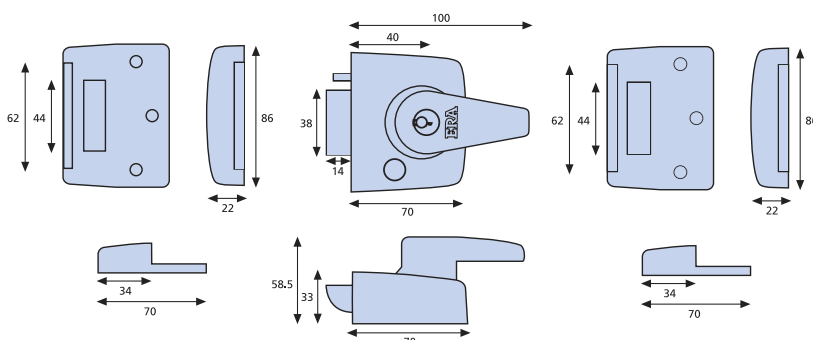
60mm Backset (Standard Style)

Brass body, brass cylinder, boxed	193-31
Brass body, brass cylinder, clam	193-32
Grey body, brass cylinder, boxed	194-31
Grey body, brass cylinder, clam	194-32
Satin chrome body, satin cylinder, boxed	193-35-1
Satin chrome body, satin cylinder, clam	193-35-2
Polished chrome body, chrome cylinder, boxed	193-37-1
Polished chrome body, chrome cylinder, clam	193-37-2
Satin nickel chrome body, satin cylinder, boxed	193-40-1
Satin nickel chrome body, satin cylinder, clam	193-40-2



40mm Double Locking Nightlatch

60mm Double Locking Nightlatch



All dimensions in mm.

NIGHTLATCH ACCESSORIES

ERA Replacement Cylinders are suitable for all ERA Front Door Lock models as well as other makes of front door locks. The Rim Cylinder has an advanced specification rim for added security. Each cylinder is supplied with 3 keys.

ERA Cylinder Pulls are designed to complement the range of Front Door Locks, providing an easy means of closing the door from the outside. The attractive door pulls are available in both solid brass (Victorian Style) and chrome.

ERA Cylinder Illuminator will ensure there is no more "fumbling around in the dark to find the keyhole", as it lights up the rim cylinder as you approach the door, so you can pinpoint exactly where the keyhole is.

The built in sensor only works in the dark and is triggered from about 5 metres away. The unit fits over the existing rim cylinder, so it is easy to retrofit the Illuminated Cylinder Pull to timber doors.

ORDERING DETAILS

Replacement Cylinder

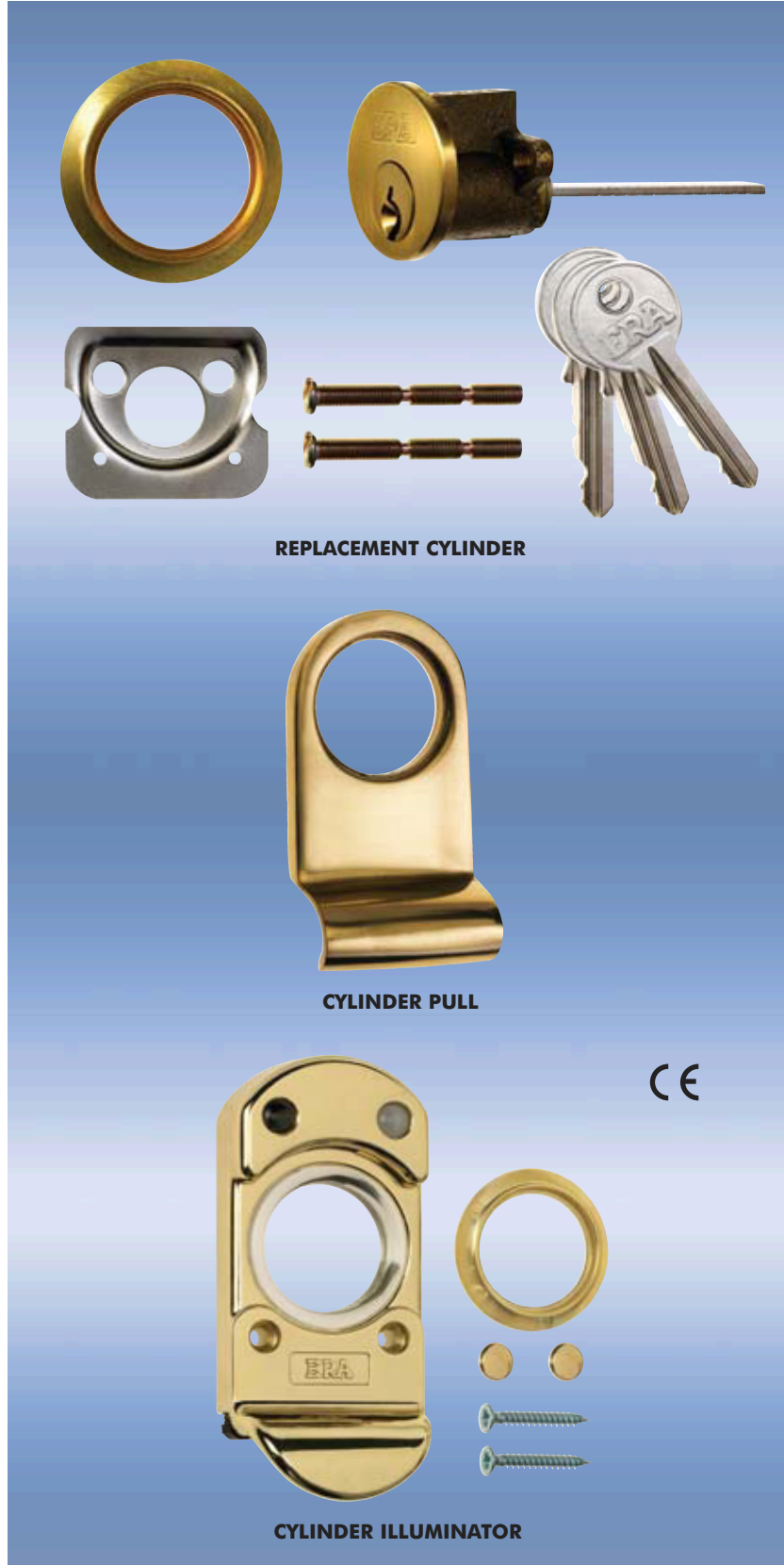
Brass	863-31
Satin	863-51

Cylinder Door Pull

Solid Brass	864-32
Solid Brass, bulk	864-35
Chrome	864-62
Chrome, bulk	864-66

Cylinder Illuminator

Brass, clam	875-32
Brass, bulk	875-35
Chrome, clam	875-62
Chrome, bulk	875-65

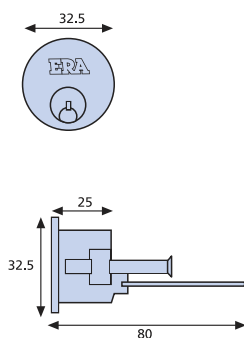


REPLACEMENT CYLINDER

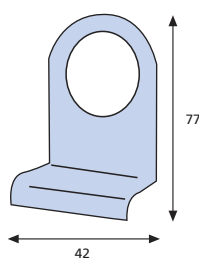
CYLINDER PULL

CYLINDER ILLUMINATOR

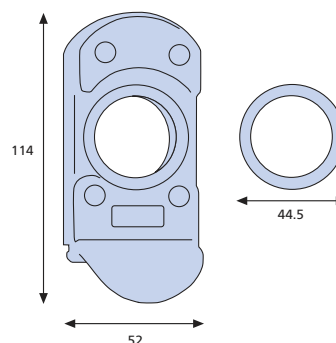
Replacement Cylinder



Cylinder Pull



Cylinder Illuminator

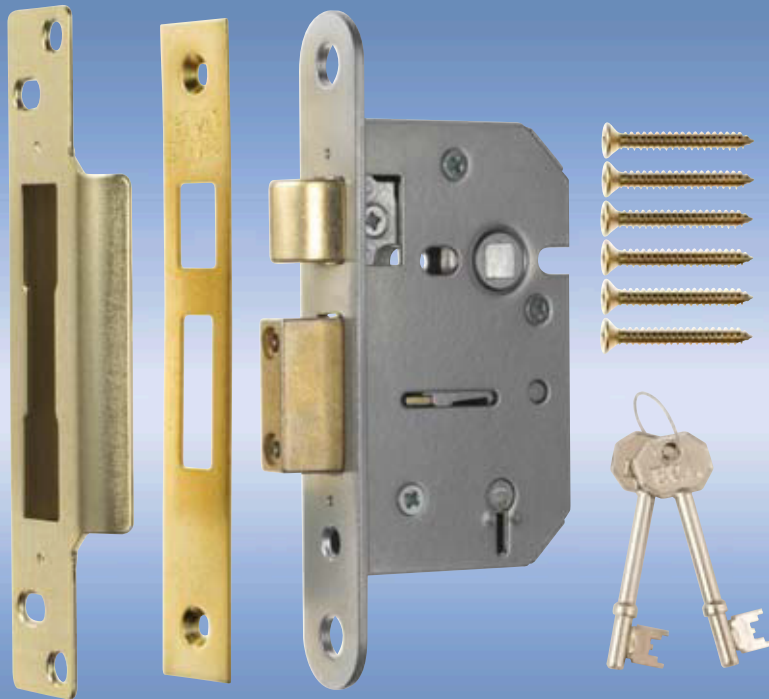


All dimensions in mm.

VISCOUNT MORTICE LOCK RANGE



VISCOUNT 5 LEVER DEADLOCK



VISCOUNT 5 LEVER SASHLOCK

The **ERA 5 Lever Viscount** range of door locks are suitable to replace existing 2 and 3 lever door locks. They are available as both Sashlock and Deadlocks. Ideal for the volume user, the Viscount offers long service in demanding situations and is the right choice for replacement or new build projects.

The Viscount is also available as a rebated lock, suitable for rebated French doors.

The latch is easily reversed. Hardened steel rollers in the bolt resist hacksawing and levers have false notching to resist lock picking.

ERA Viscount Rebate Sets are also available individually, in two sizes - 12.7mm (1/2") and 25.4mm (1"). Sashlock Rebate Sets are non-handed to reduce stock-holding. Full fitting instructions are supplied.

ORDERING DETAILS

Deadlock

Brass Effect 64mm (2 1/2")	201-31
Satin 64mm (2 1/2")	201-51
Brass Effect 76mm (3")	301-31
Satin 76mm (3")	301-51

Sashlock

Brass Effect 64mm (2 1/2")	202-31
Satin 64mm (2 1/2")	202-51
Brass Effect 76mm (3")	302-31
Satin 76mm (3")	302-51

The above products are also available Clam-Packed.

Rebated Sashlock

Brass Effect 64mm (2 1/2")	217-32
Satin 64mm (2 1/2")	217-52

Spare Keys

Cut key	509-56
Key blank	609-56

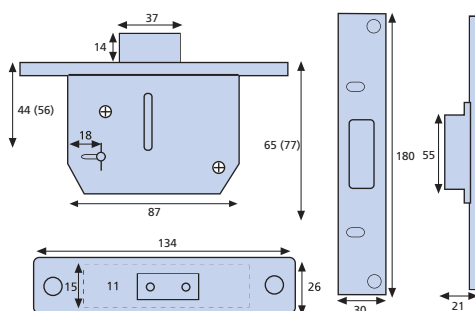
Deadlock Rebate Sets

Brass Effect 12.7mm (1/2") Rebate	434-31
Satin 12.7mm (1/2") Rebate	434-51
Brass Effect 25.4mm (1") Rebate	435-31
Satin 25.4mm (1") Rebate	435-51

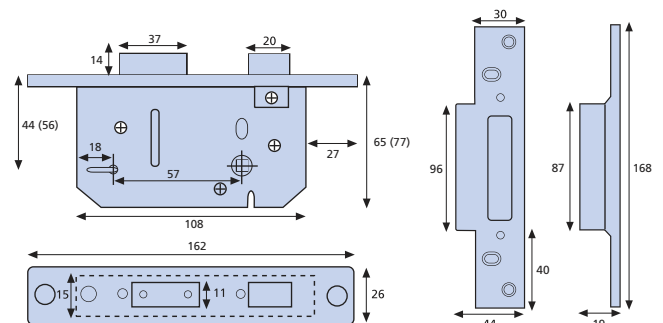
Sashlock Rebate Sets

Brass Effect 12.7mm (1/2") Rebate	436-31
Satin 12.7mm (1/2") Rebate	436-51
Brass Effect 25.4mm (1") Rebate	437-31
Satin 25.4mm (1") Rebate	437-51

5 Lever Deadlock

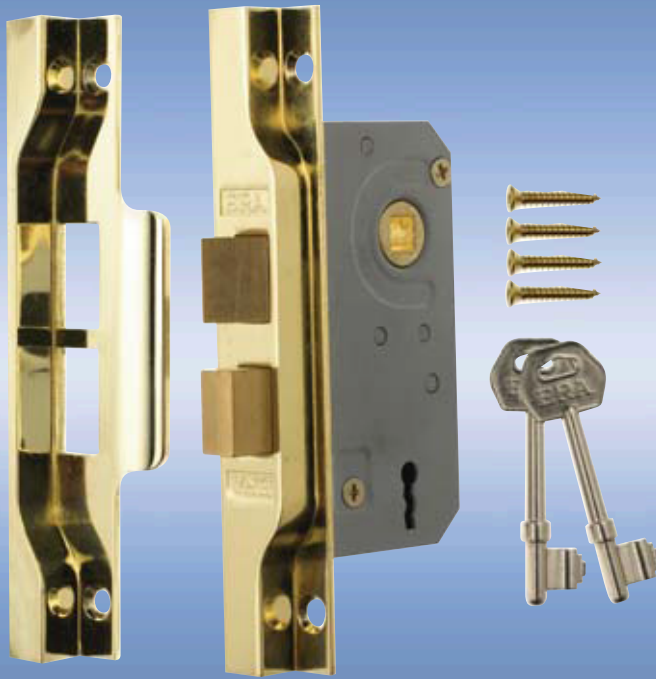


5 Lever Sashlock

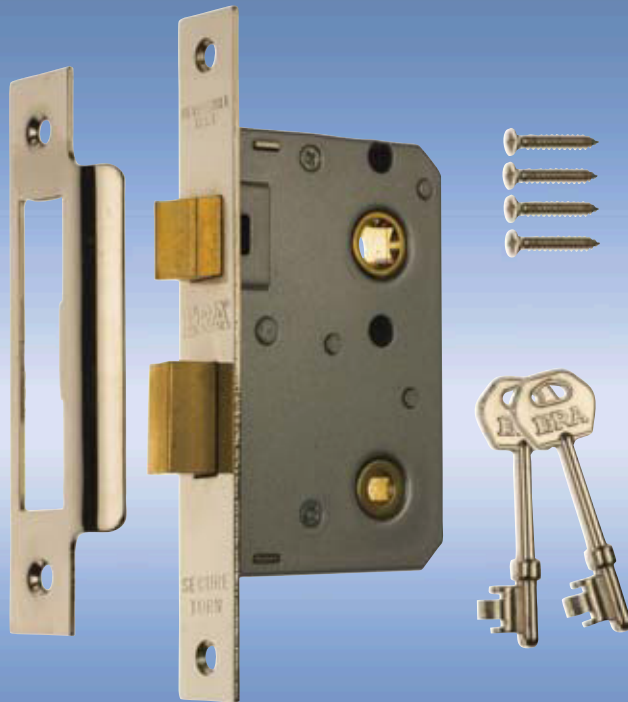


All dimensions in mm. Numbers in brackets relate to 3" version of lock

REBATED & BATHROOM DOOR LOCKS



REBATED DOOR LOCK



BATHROOM DOOR LOCK

The **ERA Rebated Door Lock** is ideally suited for 13mm (1/2") Rebated French Doors.

Available in both brass effect and satin finish, the Rebated Door Lock features a reversible forend and sashbolt allowing fixing to both left or right hinged, inward or outward opening doors.

The 2 Lever Rebated Door Lock is supplied with 2 cut keys.

The **ERA Bathroom Door Lock** has been specially designed for bathroom doors. Available in both brass and satin finish, the Bathroom Lock features a deadbolt which is operated by a thumb turn handle. The latch bolt can be easily reversed, fitting both left or right hinged inward or outward opening doors.

ORDERING DETAILS

Rebated Door Lock

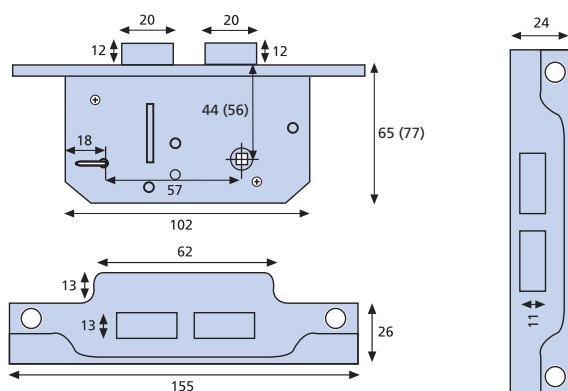
Brass Effect 64mm (2 1/2")	287-31
Satin 64mm (2 1/2")	287-51
Brass Effect 76mm (3")	387-31
Satin 76mm (3")	387-51

Bathroom Door Lock

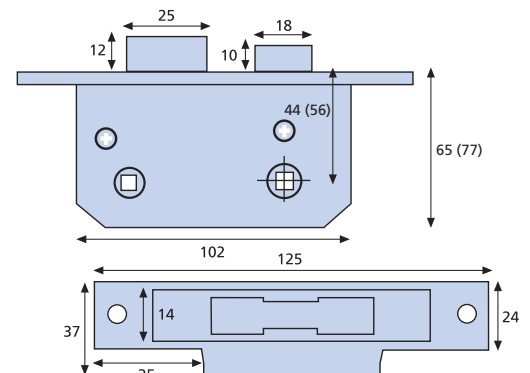
Brass Effect 64mm (2 1/2")	243-31
Satin 64mm (2 1/2")	243-51
Brass Effect 76mm (3")	343-31
Satin 76mm (3")	343-51

Rounded forends and keeps available please contact for more information. The above products are also available Clam-Packed.

Rebated Door Lock

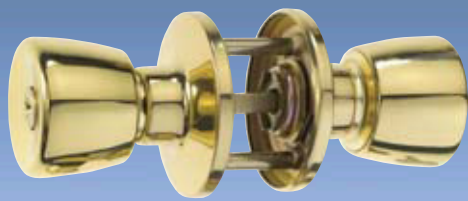


Bathroom Door Lock

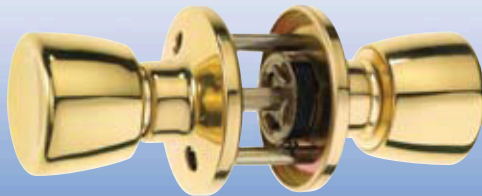
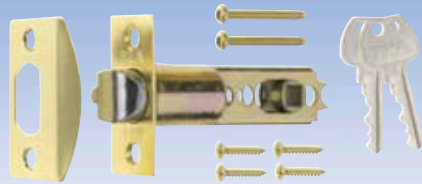


All dimensions in mm. Numbers in brackets relate to 3" version of lock.

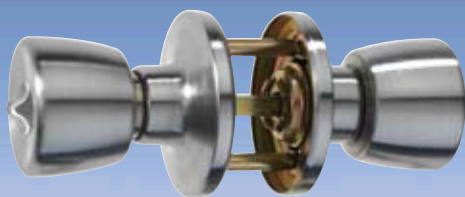
DOOR KNOB SETS



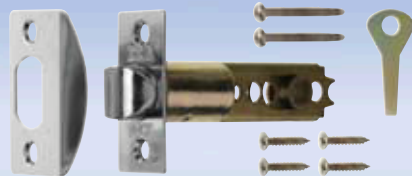
ENTRANCE LOCK SET AND TUBULAR LATCH



PASSAGE KNOB SET AND TUBULAR LATCH



PRIVACY KNOB SET AND TUBULAR LATCH



DUMMY KNOB

The **ERA Range of Door Knob Sets** consist of Entrance, Privacy, Passage and Dummy functions, which are designed to meet all customer requirements. Easy to install, each set is supplied with fitting instructions and templates. Tubular latches are adjustable to either 60mm or 70mm.

The locks available in this range can be used in different environments, which means they are suitable for both commercial and domestic applications.

The **ERA Entrance Lock** has been designed for applications on front and back doors and can be locked from either inside or outside.

The **ERA Passage Door Knob** is suitable for internal doors and as it is a non-locking knob set, it allows free access at all times.

For bathroom and bedroom use, the external knob on the **ERA Privacy Lock** has an emergency release, combining safety and privacy.

The **ERA Dummy Door Knob** is suitable for internal doors and as is a non-locking single door knob, permanently fixed to the door and to be used in conjunction with a **Tubular Roller Latch**.

ORDERING DETAIL

Entrance lock set brass finish, boxed **166-31**

Entrance lock set brass finish, clam pack **166-32**

Entrance lock set satin finish, boxed **166-51**

Entrance lock set satin finish, clam pack **166-52**

Entrance lock set chrome finish, boxed **166-61**

Entrance lock set chrome finish, clam pack **166-62**

Passage knob set brass finish, boxed **170-31**

Passage knob set brass finish, clam pack **170-32**

Passage knob set satin finish, boxed **170-51**

Passage knob set satin finish, clam pack **170-52**

Passage knob set chrome finish, boxed **170-61**

Passage knob set chrome finish, clam pack **170-62**

Privacy lock set brass finish, boxed **168-31**

Privacy lock set brass finish, clam pack **168-32**

Privacy lock set satin finish, boxed **168-51**

Privacy lock set satin finish, clam pack **168-52**

Privacy lock set chrome finish, boxed **168-61**

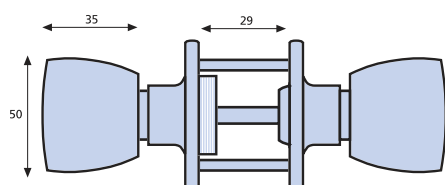
Privacy lock set chrome finish, clam pack **168-62**

Dummy knob set brass finish, boxed **172-31**

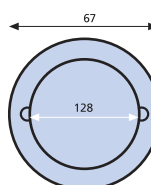
Dummy knob set brass finish, clam pack **172-32**

Dummy knob set satin finish, boxed **172-51**

Door Knobs Sets

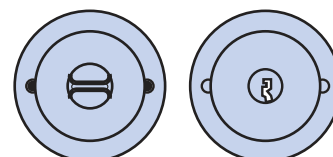


Passage and Dummy



Privacy

Entrance



All dimensions in mm.

EURO PROFILE CYLINDERS



SINGLE EURO PROFILE CYLINDER



DOUBLE EURO PROFILE CYLINDER



DOUBLE EURO PROFILE THUMBTURN CYLINDER

ERA offers a comprehensive selection of **Euro Profile Cylinders**, available in a vast number of sizes and types, complementing the Euro Cylinder operated Mortice Locks and Multi-Point Locks.

Available in both brass and satin finishes, the Euro Profile Cylinders are manufactured from solid brass incorporating either 5 pins (Standard), 6 pins (Security) and 6 pins (High Security).

The High Security 6 pin cylinders have anti-pick, hardened pins and four mushroom drivers, offering in excess of 100,000 key differs. (BS1303)

The **Single Euro Profile Cylinders**, allow opening from one side only. Ideal if security is required on one side and no access on the other.

The **High Security 6 pin Double Euro Cylinders** ensure controlled access from both sides of the lock.

The **Double Euro Thumbturn Cylinders** are ideal for locations that require controlled access from one direction and easy access from another.

Master Keying and Cylinders To Pass are available to special order. Each cylinder is supplied with 3 keys.

ORDERING DETAILS

Dimensions **No. of** **Finish**
(mm) **Pins**

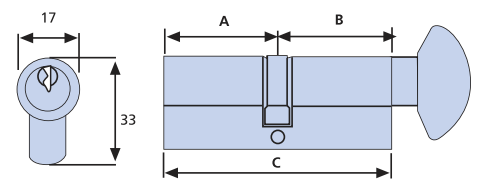
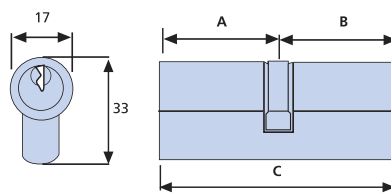
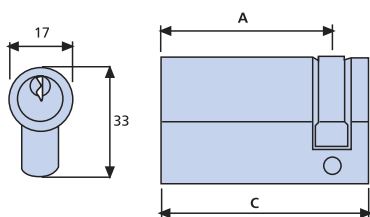
A	B	C			
Single Euro Profile Cylinders					
30	40	5	Satin		4030-51
30	40	5	Brass		4031-31
Double Euro Profile Cylinders					
30	30	60	5	Satin	4050-51
30	30	60	5	Brass	4051-31
30	40	70	5	Satin	4054-51
30	40	70	5	Brass	4055-31
35	35	70	5	Satin	4110-51
35	35	70	5	Brass	4110-31
35	35	70	6	Satin	4066-51
35	35	70	6	Brass	4067-31
35	40	75	6	Satin	4068-51
35	40	75	6	Brass	4069-31
35	45	80	6	Satin	4070-51
35	45	80	6	Brass	4071-31
40	40	80	6	Satin	4077-51
40	40	80	6	Brass	4078-31
40	50	90	6	Satin	4081-51
40	50	90	6	Brass	4082-31
40	60	100	6	Satin	4085-51
40	60	100	6	Brass	4086-31
45	45	90	6	Satin	4087-51
45	45	90	6	Brass	4088-31
45	55	100	6	Satin	4095-51
45	55	100	6	Brass	4095-31
Double Euro Profile Thumbturn Cylinders					
30	30	60	5	Satin	4100-51
30	30	60	5	Brass	4101-31

Further sizes available - please call ERA sales for further information. Oval Profile Cylinders are also available. Clam-Packed available on certain products.

Single Euro Profile Cylinder

Double Euro Profile Cylinder

Double Euro Profile Thumbturn Cylinder



All dimensions in mm.

LOCK MECHANISM

FEATURES & BENEFITS

LOCK

- The repair lock is designed to replace most multi point locks in the UK market where a replacement lock is not available
- Designed for PVCu doors and frames
- Lock fits conventional 16mm wide Euro groove, with 35mm backset
- Non-handed lock mechanism with reversible sash bolt. Split spindle for lever pad applications
- Lock uses a traditional euro key cylinder, existing cylinder can be re-used if in good condition
- Lock will fit most routed preparations, but some trimming may be needed in some applications
- Locks uses conventional adjustable rollers for enhanced performance and weather sealing
- Lock uses high tensile steel mushrooms for anti-separation with adjustable keep plates
- Mushrooms can be shimmed to suit different air gap dimensions depending on applications (patent applied for)
- Suitable for a maximum door height of 2.23m (7'3")
- Reduced pack size 1.6m - easier to transport and display

KEEP

- Keep strip conceals previous installation holes and does not use original hardware and fixings
- Keep strip packers are universal and are adjustable on site to suit the door frame profile (patent applied for)
- Keep strip is none handed and suitable for swing in/out designs
- Keep is adjustable for seal compression/door distortion
- Lock and keep are corrosion protected to latest international specifications
- Package is supplied with all fixings and illustrated instructions for full installation



10 YEAR GUARANTEE

CORROSION RESISTANT

VARIETY OF
EURO PROFILE CYLINDERS

ALTERNATIVE
SPINDLE LENGTHS

Vectis Repair Lock also available upon request